

# Magnetic Sweepers

*...Only from Eriez.*

## *Electro and Permanent*

*For “clean sweep” removal of dangerous tramp iron from highways, airports, parking lots, terminals, warehouses, quarries, machine shops, factory aisles and parks.*

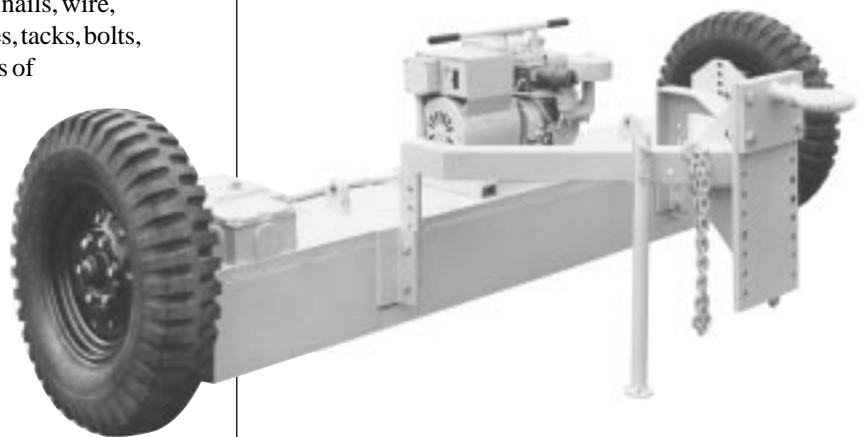
**E**riez’ electromagnetic and permanent magnetic Road and Floor Sweepers are the fast, efficient, practical way to rid large surface areas of hazardous pieces of iron. In one quick sweep they prevent costly tire damage, reduce equipment downtime and eliminate many safety hazards.

The Sweeper’s high-strength magnetic field picks up and holds nails, wire, welding rod ends, staples, tacks, bolts, ferrous chips—all kinds of potentially damaging tramp iron.

Highways, airfields, parking lots, loading docks, city streets, parks and playgrounds are easily cleared of damaging, dangerous tramp iron.

### **FEATURES**

- Simple operation
- Exceptional performance
- Choose from a wide selection of models and sizes



**Trailing Military Type  
with Generator**



# Electromagnetic Road Sweepers

Powerful electromagnetic Road Sweepers are the fast, efficient, practical way to rid large surface areas of hazardous pieces of iron. The accumulated debris is unloaded by simply turning off the magnet.

## CHOOSE SUSPENDED OR TRAILING TYPES

The Suspended Models can be ordered with attachments for operation with forklift trucks or with provision for suspension behind or beneath almost any kind of vehicle.

Trailing-type Road Sweepers are equipped with heavy duty 7.50/16 implement tires and a tow bar for quick attachment to the towing vehicle. A parking stand is also provided. Clearance is adjustable up to 8-inches (200 mm) for use at construction sites or over rough terrain (slow speed operation is required for these applications).

Both types feature a durable non-magnetic stainless steel faceplate which aids in the discharge of accumulated tramp iron. These sweepers are also designed to meet the performance requirements of Military Specification MIL-M-82023 (YD).

## CHOOSE SIZE

Eriez Heavy Duty Electromagnetic Road Sweepers are available in five widths. They are suitable for sweeping speeds up to 10 mph (16 kph) with a maximum road clearance of 4-1/2 inches (115 mm). Greater road clearance is possible if speed is reduced.

## CHOOSE POWER SUPPLY

A standard DC gasoline engine generator set can be furnished mounted on top of the sweeper to provide power to the magnet. These sweepers can also be furnished with special coils to suit on-site DC power supplies.

Eriez-furnished DC power supplies are provided with a specially designed

current reversing switch to assure complete discharge of accumulated iron. This switch is similar to those used in lifting magnet applications where the current is momentarily reversed to eliminate materials hanging on due to induced magnetism.

WIDTHS		WEIGHT			
		SUSPENDED TYPE		TRAILING TYPE	
in	mm	lb	kg	lb	kg
36	900	1125	510	1425	646
48	1200	1400	635	1700	771
60	1200	1675	760	1975	896
72	1800	1900	862	2250	1021
96	2400	2520	1143	2800	1270



**Suspended Type  
with Generator**



**Trailing Type  
with Generator**



# Permanent Magnetic Road Sweepers

For high-speed, low-cost removal of ferrous trash, Eriez permanent magnetic Models 325 Sweeper provides efficient cleaning with equipment that requires no outside power source.

Lighter in weight than the heavier-duty electro Sweepers, these models are designed for trailing behind any type of vehicle or for use suspended from a forklift truck or a truck bumper.

## MODEL 325 SUSPENDED TYPE

Suspension lugs can be provided for operation from industrial or highway trucks.

All models are built with a powerful Erium® 25 permanent magnetic element enclosed in a rugged housing that provides structural strength with a minimum of weight. The non-magnetic housing serves as a stripper pan for the magnet; simply moving a lever raises the magnet inside the housing and allows the tramp iron to drop to the ground.

## MODEL 325 TRAILING TYPE

The trailing models are equipped with puncture-proof 10-inch (250 mm) tires mounted on roller bearing wheels for minimum towing effort and to permit speeds up to 15 mph (25 kph) for transporting between jobs. A parking stand is provided, and the wheels project beyond the trailing edge of the magnet to

protect it from accidental collision damage when backing up. Heavy duty models are available for rough terrain.

Road clearance to the bottom of the stripper pan is fixed at 3-inches (76 mm) for maximum effectiveness, and a top operating speed of 5 mph (8 kph) is recommended.

WIDTHS		WEIGHT			
		SUSPENDED TYPE		TRAILING TYPE	
in	mm	lb	kg	lb	kg
48	1200	330	150	350	160
60	1200	390	177	410	186
72	1800	450	204	470	213
96	2400	565	256	585	265

**Standard Permanent Trailing Type**



**Suspended Permanent Type**

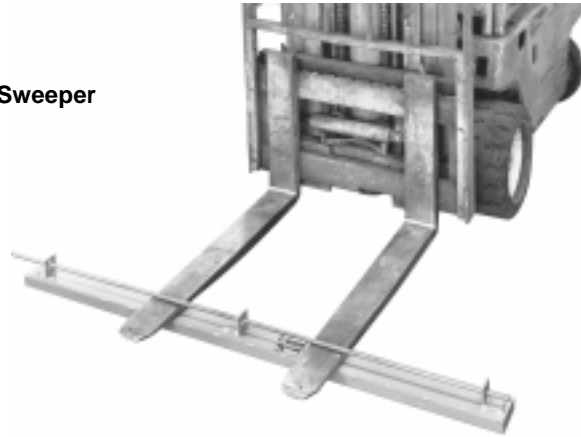
# Permanent Magnetic Floor Sweepers

## MAGNABLOCK SWEEPER

The permanent magnet MagnaBlock offers an economical way to sweep aisles, parking lots, storage yards and other level pavement areas at speeds of 2.5 to 4 mph (4.8 to 6.4 kph). It can be mounted to fork lifts, yard goats or pickup truck bumpers at a suspension height of 2 to 3-inches (51 to 76 mm) with customer-supplied hardware.

It is available in widths of 36, 48, 60, 72 and 84 inches (914, 1219, 1524, 1829 and 2134 mm) and includes an Erium 25 permanent magnet circuit, 304 stainless steel casing, 3/8-inch (9.5 mm) steel back bar and lifting lugs with 1-inch (25 mm) diameter holes. Most sizes weigh under 100 pounds (45 kg).

MagnaBlock Sweeper



**World Authority in Advanced Technology for Magnetic, Vibratory and Metal Detection Applications**

**HEADQUARTERS: 2200 ASBURY ROAD, P.O. BOX 10608, ERIE, PA 16514-0608 U.S.A.**

**Telephone 814/835-6000 • 800/345-4946 • Fax 814/838-4960 • International Fax 814/833-3348**

**Web Site: <http://www.eriez.com>**

**e-mail: [eriez@eriez.com](mailto:eriez@eriez.com)**

**MANUFACTURING FACILITIES IN: AUSTRALIA • BRAZIL • CANADA • INDIA • JAPAN • MEXICO • SOUTH AFRICA • UNITED KINGDOM • UNITED STATES**